

# AR480T

OPERATING WEIGHT  
6,000 - 6,500 kg

ENGINE OUTPUT  
54 kW (72.5 HP)

SHOVEL CAPACITY  
1.0 - 1.8 m<sup>3</sup>



 **Weycor**  
BY ATLAS WEYHAUSEN



## FIRST IMPRESSIONS COUNT!

weycor wheel loaders are more than the sum of their parts. They reflect true passion, a fascination with technology and 'Made in Germany' quality. It's thanks to the innovative spirit of our people, their dedication to detail and their passion for powerful engine technology that this new generation of wheel loaders has been developed.

**6,000\*** KG  
OPERATING WEIGHT

**54** KW (72.5 HP)  
ENGINE OUTPUT

**1.0** M<sup>3</sup>  
SHOVEL CAPACITY

### Operating data

|                                      |                             |
|--------------------------------------|-----------------------------|
| Shovel capacity                      | <b>1.0 m<sup>3</sup>(5)</b> |
| Track width                          | <b>1,510 mm</b>             |
| Tear out force                       | <b>4,300 daN</b>            |
| Torque                               | <b>4,310 daN</b>            |
| Tipping load, straight               | <b>3,627 kg</b>             |
| Tipping load, straight / extended    | <b>2,049 kg</b>             |
| Tipping load, articulated            | <b>3,208 kg</b>             |
| Tipping load, articulated / extended | <b>1,812 kg</b>             |
| Lifting capacity at ground level     | <b>3,600 daN</b>            |
| Operating weight                     | <b>6,000 kg</b>             |

### Specifications

#### Differing data for use of pallet forks (500 mm distance to center of gravity)\*

|                                      |                 |
|--------------------------------------|-----------------|
| Tipping load, straight               | <b>3,119 kg</b> |
| Tipping load, straight / extended    | <b>1,852 kg</b> |
| Tipping load, articulated            | <b>2,759 kg</b> |
| Tipping load, articulated / extended | <b>1,638 kg</b> |
| Payload 80% even surface**           | <b>2,207 kg</b> |
| Payload 80% extended boom**          | <b>1,310 kg</b> |
| Payload 60% uneven surface***        | <b>1,655 kg</b> |
| Payload 60% extended boom***         | <b>983 kg</b>   |

#### Sound level

|   |                                     |
|---|-------------------------------------|
| Average sound power level L <sub>WA</sub> (1)     | <b>100.0 dB(A)</b>                  |
| Guaranteed sound power level L <sub>WA</sub> (2)  | <b>101.0 dB(A)</b>                  |
| Sound pressure level L <sub>pA</sub> (3)          | <b>77.0 dB(A)</b>                   |
| Vibration values hand/arm/whole body vibration(4) | <b>&lt; 2.5/0.5 m/s<sup>2</sup></b> |

\*Travel with load only permitted close to the ground.

\*\* According to ISO 8313 and EN 474-3.\*\*\* According to ISO 14396, EU RL97/68/EC.

(1) According to 2000/14/EG & appendixes. (2) According to 2000/14/EG & appendixes.

(3) According to ISO 6396. (4) According to ISO 8041. (5) If you participate in public traffic

gem. STVZO only the loading shovel with the number 8059493 is allowed.

### Important Information on Shovel Size / Shovel Contents:

The details contained in this brochure relate solely to the weycor shovels referred to in the respective data sheet, with the associated technical parameters and configurations on which the respective CE approval for the device is based. The volume of the specific usable shovel depends on the material-specific bulk weights (t/m<sup>3</sup>) of the shovel contents, which you can take as approximations from the data sheet's TABLE OF SPECIFIC WEIGHTS IN t/m<sup>3</sup>. Regardless of this, neither the wheel loader's permissible working weight nor its permissible tipping loads may be exceeded. If the wheel loader is equipped with shovels that are not manufactured and licenced by Atlas Weyhausen GmbH, the buyer and / or the operator is solely responsible for compliance with the relevant statutory regulations and licensing requirements – particularly those relating to road-traffic and road-traffic-licensing law.

\* The operating weight may vary with different equipment.  
All technical information refers exclusively to the standard device.

# DETAILS THAT MAKE AN IMPRESSION

It is demanding to meet the new legal requirements for exhaust emissions. The challenge is to create also tangible benefits for our customers. We are proud to have achieved both in the development of the current wheel loader generation: more power - less consumption, plus a number of others innovations that really make a difference on tough construction sites.

## Latest kinematics technology

The proven and tested weycor kinematics with its exceptional tear-out force and excellent lifting heights. Telescopic cylinder with endposition cushioning.

## Hydraulic quick-change attachment

By allowing you to change the wheel loader's attachments in a few seconds, it turns the vehicle into an all-rounder.

## Easy maintenance

Low-maintenance and quick, easy servicing is achieved by central, consolidated, easy-to-reach service points.

## Articulated joint

The combination of pendulum joint and the rear oscillating axle provides for excellent maneuverability and cross-country mobility. Even on challenging terrain, the low center of gravity ensures exceptional stability.

## Comfortable cabin

In addition to the excellent circumferential visibility in the wheel loader, its clearly arranged controls and its ergonomic design.

## Powerful drive unit

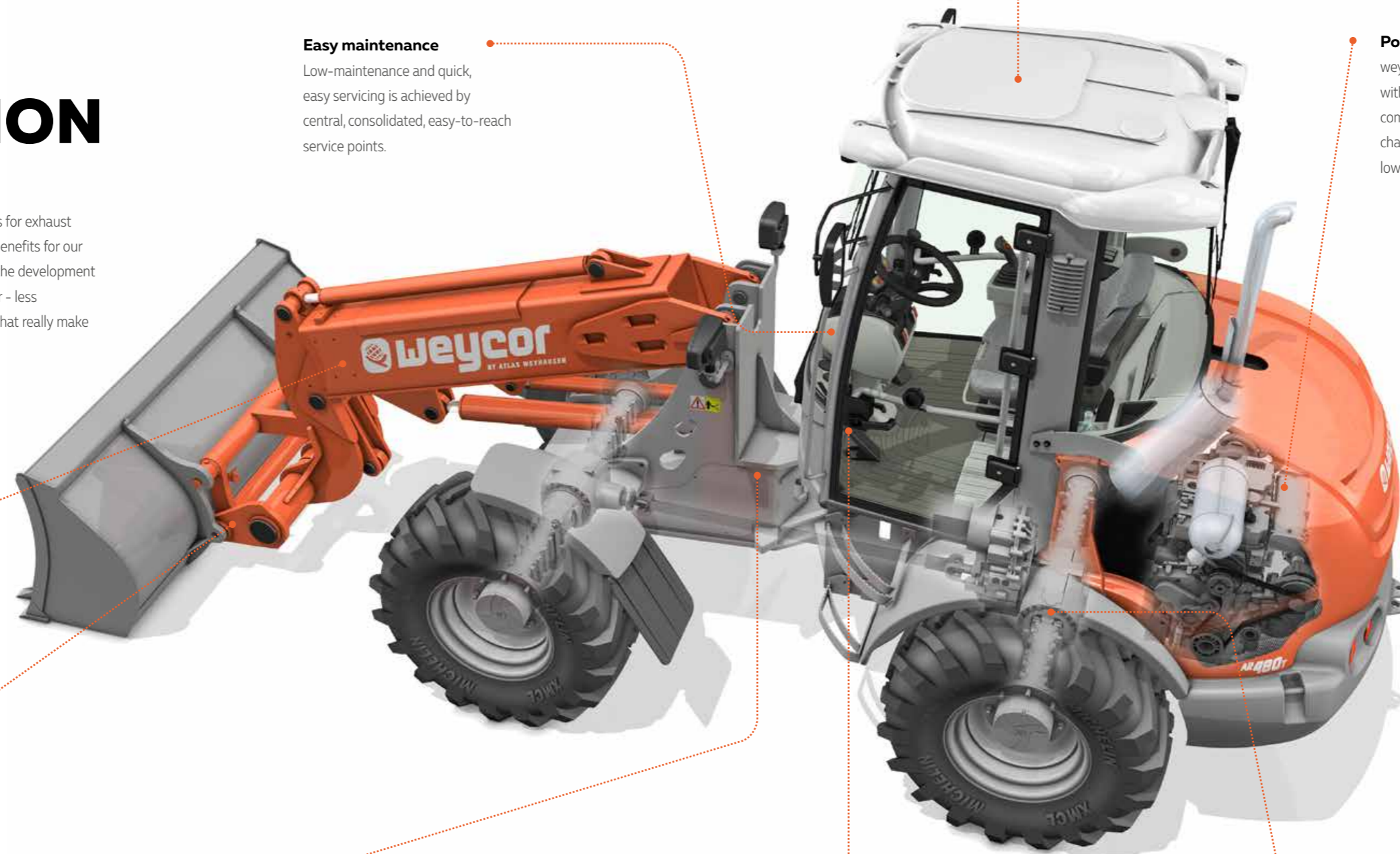
weycor wheel loaders are equipped with state-of-the-art engines which combine high power reserves for challenging operations with up-to-date low emission values.

## Inching Pedal

As the only manufacturer, our wheel loaders have a separate inching pedal as standard. This prevents the possibility of moving against the operating brake, in contrast to the combination of a brake/inch pedal. A generously proportioned inching range facilitates precise distribution of shearing and lifting forces. The result: less wear and lower fuel consumption.

## Spring-loaded brake

The spring-loaded or negative brake in weycor wheel loaders is a closed brake system (oil bath multiple-disc brake) which holds the wheel loader securely in position on a slope when the brake or inch function is activated and automatically locks all four wheels when the engine is at a standstill. The multiple-disc brake runs in the oil bath and is particularly low-maintenance and low-wearing as a result.



# INNOVATIVE ENGINE TECHNOLOGY

## TD 2.9 L4 – intelligent efficient:

We have been convinced of the quality of Deutz engines for over 40 years. Our cooperation with Deutz also offers numerous benefits for the AR 480T: such as the electronic engine control with intelligent connection to the drive management. This ensures the best engine performance with low fuel consumption.



## Deutz engine technology: TD 2.9 L4

Water-cooled 4-cylinder inline engine with cooled, external exhaust gas recirculation with turbocharging and with charge air cooling. The powerful Common Rail injection system and highly-efficient combustion process with cooled external exhaust gas recirculation ensure optimum engine performance at low fuel consumption and exhaust emissions.

Through the use of the diesel particulate filter, the engines comply with the EU Stage V emissions standard 2019. For ease of machine installation engine foot print and all major installation interfaces will stay unchanged for Stage V.

## Mighty performance

54 kW at a maximum of 2,200 rpm

## Compliance with emission standards

EU Stage 5 - DOC + DPF from 2019



# TECHNICAL DATA

## Engine

|                     |                              |
|---------------------|------------------------------|
| Model               | TD 2.9 L4                    |
| Design              | water cooled                 |
| Output              | 54 kW (72.5 HP) at 2,200 rpm |
| Max. torque         | 260 Nm at 1,600 rpm          |
| Cubic capacity      | 2,924 cm <sup>3</sup>        |
| Number of cylinders | 4 in line                    |

## Electrical system

|                   |               |
|-------------------|---------------|
| Operating voltage | 12 V          |
| Battery           | 12 V / 100 Ah |
| Generator         | 14 V / 95 A   |
| Starter           | 12 V / 2,6 kW |

## Drive

Output-regulated hydrostatic drive with pressure cut off and closed circuit acting on all 4 wheels.

Speed with standard tires:

**Operating speed range** 0–6.5 km/h

**Road speed range** 0–20 km/h

**Optional high speed** 0–40 km/h

1st and 2nd hydraulic gear can be engaged under load, forward/backward travel also. Forward/backward travel, speed ranges and off-position operational via weycor joystick. Drive operated by accelerator and separate inching pedal for best distribution of the hydraulic power for thrust and lifting forces.

## Brakes

**Standard brake:** Multi-disc brake in oil bath acting on all 4 wheels.

Supplementary brake functions via inching pedal and hydrostatic drive acting on all 4 wheels.

**Parking brake:** Parking brake as springloaded brake acting on all 4 wheels. In case of standstill of engine the spring-loaded brake is automatically reactivated.

## Steering

Fully hydraulic center pivot steering and oscillating rear axle

Front and rear wheels follow the same track

Steering angle of 40° to each side, ±10° angular movement at rear of vehicle

Operating pressure of steering hydraulics 175 bar

Emergency steering function

## Axles

Rigid axle front, pendulum rear axle with planetary reduction gears in wheel hubs, electrically connected 100%-differential lock in front and rear axle

## Tires (Special tires upon request)

**Standard:** 16/70 R20 MPT 14 PR – Multi-purpose tires for earth moving machines, with good traction, self-cleaning and firm stability

## Hydraulic system

Gear pump for loading and steering hydraulics

Priority valve favoring steering hydraulics

Lowering brake dependent of load

4th hydraulic section

Loading hydraulic hydraulically pre-activated by weycor joystick, including float position

Operating pressure 230 bar, Delivery of pump 66 l/min

## Fuel/oil capacities

|                |           |
|----------------|-----------|
| Diesel         | 80 Liter  |
| Hydraulic oil  | 78 Liter  |
| Engine oil     | 8 Liter   |
| Front axle     | 5.1 Liter |
| Rear axle      | 5.4 Liter |
| Gear oil       | 0.7 Liter |
| Cooling liquid | 13 Liter  |

## Loading equipment

Powerful and solid Z-kinematics

Telescopic range 1,200 mm

Telescopic cylinder with damping working cylinder

Hydraulic quick change device

Activation of all functions by weycor joystick

Parallel movement while using pallet forks

Locking device acc. to German StVZO for road travel

**Lifting** **6.5 s**

**Lowering** **6.0 s**

**Tipping** **1.8 s**

## Equipment – Series

Rear driving mirrors, foldable

Heatable rear screen

Comfortable access to cab from both sides

Joystick with integrated proportional steering for 3rd section or swing-action control

weycor diagnostic system

Control lights for speed range, forward/backward travel

Lights acc. to German StVZO for road travel

Individually adjustable driver's seat with adjustable right arm rest

Engine oil heating with heat exchange and 4-stage fan

Front windscreen ventilation, variable output

Sound absorbing ROPS cab

Windscreen wipe and wash unit in front and rear

Sun visor, coat hook, ceiling lamp, stow facility

Adjustable steering column

Heat protection glazing with largetinted screens

Control lights for engine oil pressure, overheating, hydraulic oil temperature, battery power, parking brake and air filter

Central dashboard with indicators for preheating, engine temperature, fuel, working hour meter

Cyclone dust separator with Air filter control

## Equipment – Option

Stability damping system

High speed version 40 km/h

Air conditioning

Hand throttle unit

Load check valve

Main battery switch

Corrosion prevention against salt

Special paintings and oils

Trailer coupling

Heatable and air cushioned seats

Auxiliary heating, comfort cab

Radio

Warning beacon

Doors with sliding windows, left and right side

Anti-theft-device with code stick

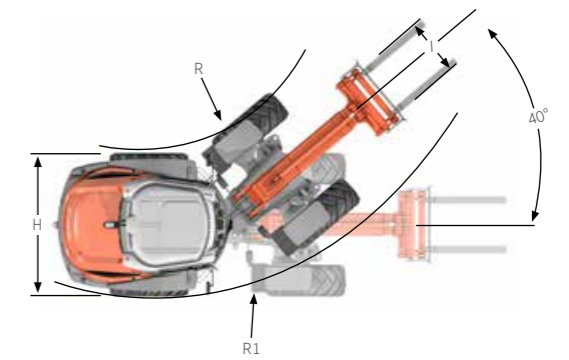
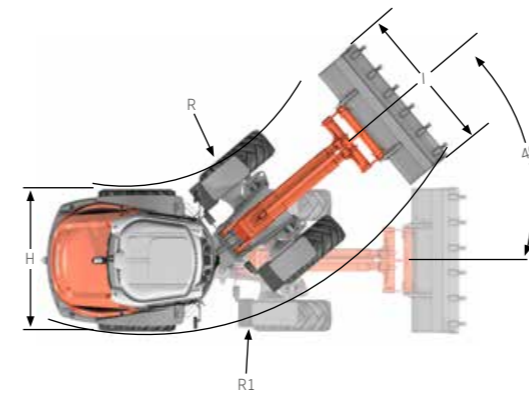
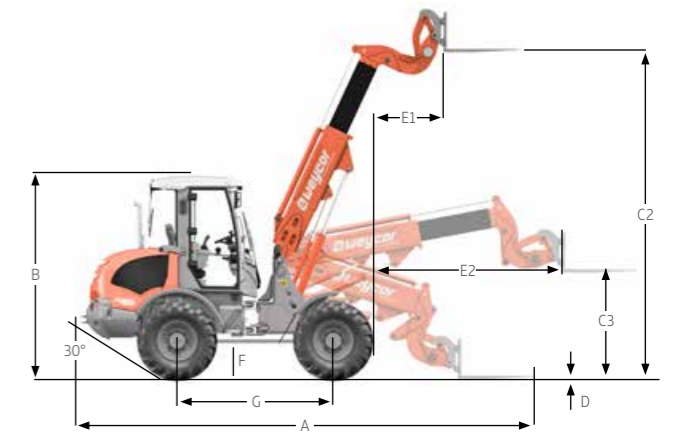
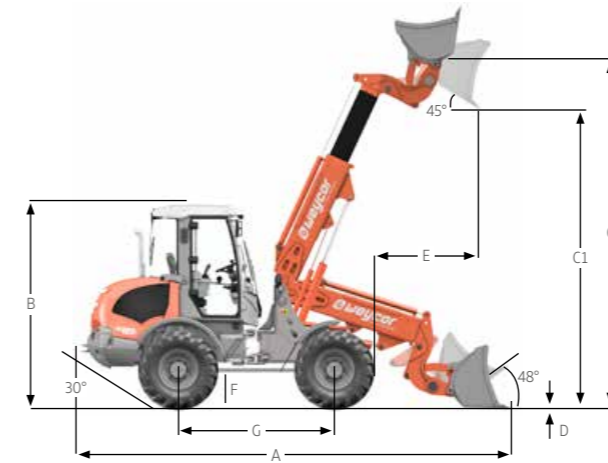
Glass roof arrangeable

Hydraulic start-stop system

Diesel particulate filter

# TECHNICAL DATA

|    | AR 480T with standard shovel | AR 480T with pallet forks |
|----|------------------------------|---------------------------|
| A  | 5,804 mm                     | 6,124 mm                  |
| B  | 2,796 mm                     | 2,796 mm                  |
| C  | 4,838 mm                     | -                         |
| C1 | 4,080 mm                     | -                         |
| C2 | -                            | 4,650 mm                  |
| C3 | -                            | 1,530 mm                  |
| D  | 60 mm                        | 60 mm                     |
| E  | 1,380 mm                     | -                         |
| E1 | -                            | 1,074 mm                  |
| E2 | -                            | 2,695 mm                  |
| F  | 492 mm                       | 492 mm                    |
| G  | 2,200 mm                     | 2,200 mm                  |
| H  | 1,950 mm                     | 1,950 mm                  |
| I  | 2,150 mm                     | 1,030 mm                  |
| R  | 2,105 mm                     | 2,105 mm                  |
| R1 | 4,545 mm                     | 4,545 mm                  |



With standard shovel

With pallet forks

## Specific gravity for material handling weight (t/m<sup>3</sup>)

| Construction    |     | Industry          |     | Landscaping, Agriculture |     |                      |     |
|-----------------|-----|-------------------|-----|--------------------------|-----|----------------------|-----|
| Concrete        | 1.9 | Sand (watery)     | 2.1 | Ember                    | 0.7 | Agricultural crop    | 0.7 |
| Soil (dry)      | 1.5 | Sandstone         | 2.4 | Brown coal briquette     | 0.8 | Grain                | 0.6 |
| Soil (watery)   | 2.0 | Shale             | 2.2 | Ferrous product          | 7.8 | Hay                  | 0.3 |
| Rock (fill)     | 2.4 | Sediment          | 2.1 | Iron ore                 | 2.3 | Potash               | 1.1 |
| Granite         | 1.8 | Crushed stone     | 1.5 | Cullet                   | 1.9 | Compost              | 1.0 |
| Limestone       | 1.6 | De-icing salt     | 1.3 | Gas coke                 | 0.4 | Flour                | 0.5 |
| Gravel (dry)    | 1.9 | Clay              | 1.6 | Timber                   | 0.8 | Clay (watery)        | 2.3 |
| Gravel (watery) | 2.1 | Cement            | 1.7 | Mineral coal             | 1.2 | Phosphate fertiliser | 2.2 |
| Loam            | 1.7 | Clinker (stacked) | 1.8 | Paper                    | 0.9 | Turf (watery)        | 1.1 |
| Plaster         | 2.2 |                   |     | Slag                     | 1.0 | Turf (dry)           | 0.4 |
| Sand (dry)      | 1.9 |                   |     | Slag concrete            | 2.7 | Mineral fertiliser   | 1.0 |



You can find our current product range and more exciting details at: [www.products.weycor.de](http://www.products.weycor.de) or [www.weycor.de](http://www.weycor.de)

weycor is a brand of ATLAS WEYHAUSEN GMBH.

ATLAS WEYHAUSEN GMBH · D - 27793 Wildeshausen  
Phone +49 (0) 44 31 - 98 10 · [info@weycor.de](mailto:info@weycor.de) · [www.weycor.de](http://www.weycor.de)



Under our policy of continuous improvement, we reserve the right to change specifications and design without prior notice, errors expected. The technical data refer only to the standard version, illustrations do not necessarily show the standard version of the machine. Not all products are available in all markets.